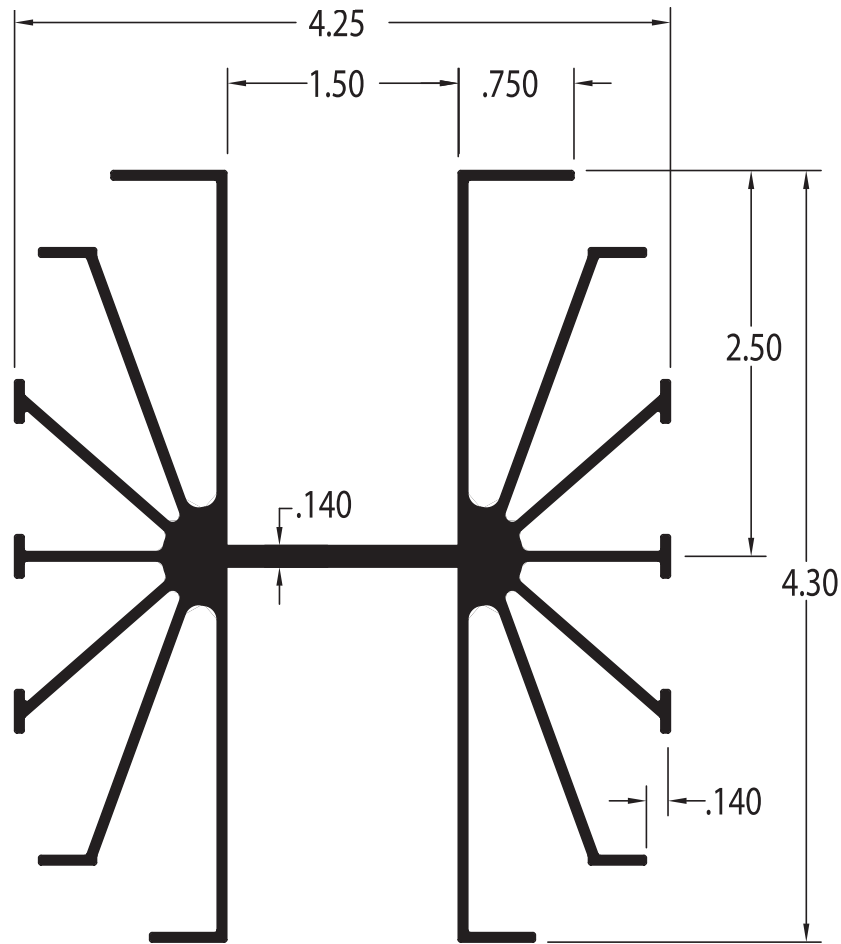


CHEH1484



Per. 55.50IN²/IN

Wt. 3.01 LB/FT

1.0 °C/W3"