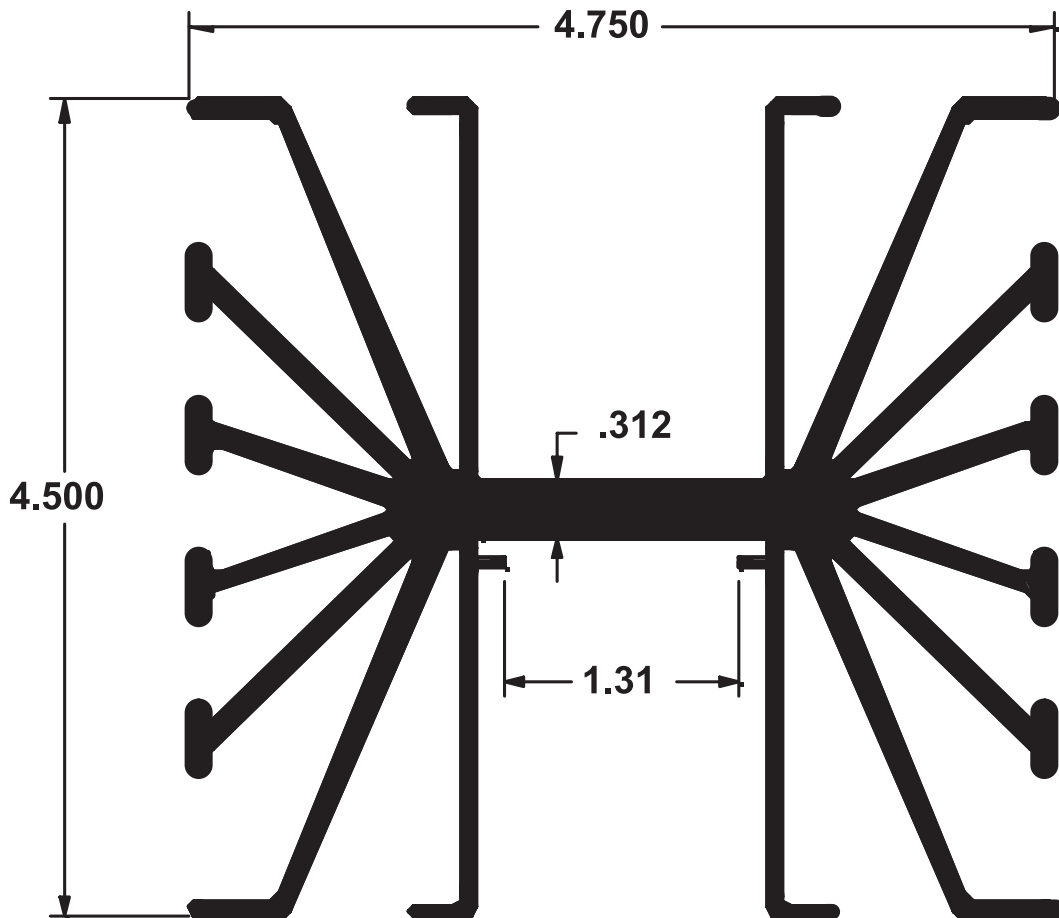


CHEH0023



Per. $71.25 \text{ IN}^2 / \text{IN}$

Wt. 4.332 LB/FT

1.0° C/W/3"