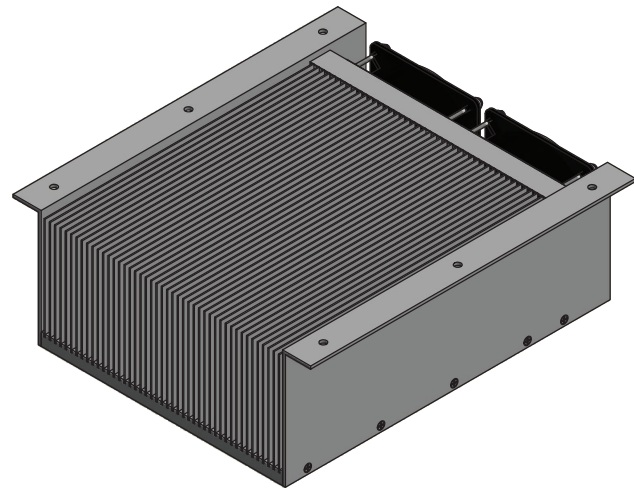
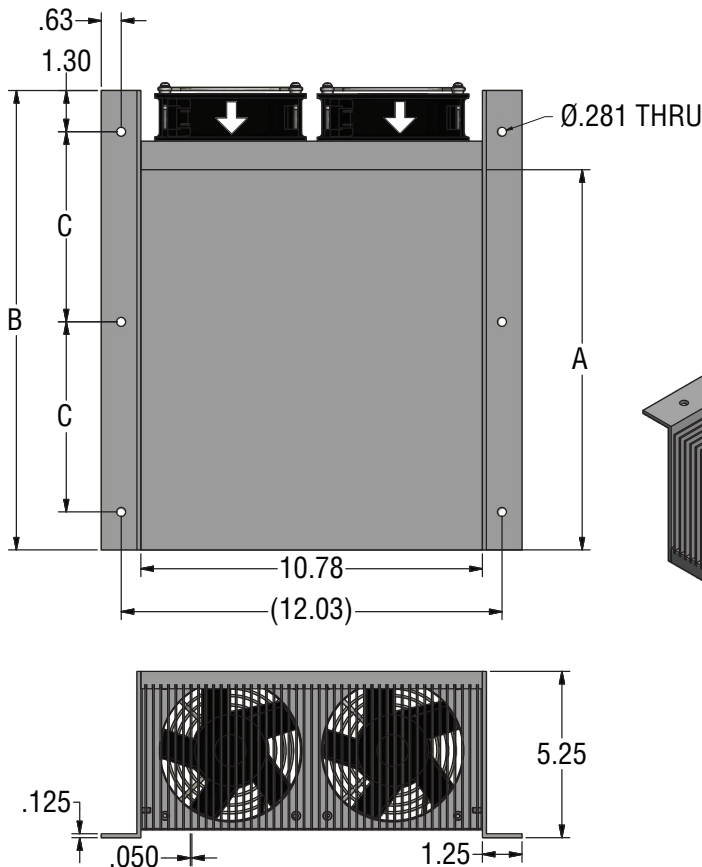


### FORCED CONVECTION – DOUBLE FAN MODELS

Ideal for designs with large IGBT, Diode, and SCR Modules in high wattage applications. Exceptional thermal performances as low as  $0.024^{\circ}\text{C}/\text{W}$  – more effective cooling per cubic inch compared to Extruded Heat Sinks. Models available fully equipped with ball-bearing fans. **Custom designs are available upon request.**



### FORCED AIR CONVECTION - DOUBLE FAN MODELS

MODEL #	CH5117F	CH5118F	CH5119F
Dimension A	12.00"	14.00"	16.00"
Dimension B	14.00"	16.59"	18.59"
Dimension C	6.00"	7.00"	8.00"
Thermal Resistance	$0.028^{\circ}\text{C}/\text{W}$	$0.025^{\circ}\text{C}/\text{W}$	$0.024^{\circ}\text{C}/\text{W}$

Thermal performances based on 100 CFM fan. Mounting pattern shown fits standard "muffin" fans.