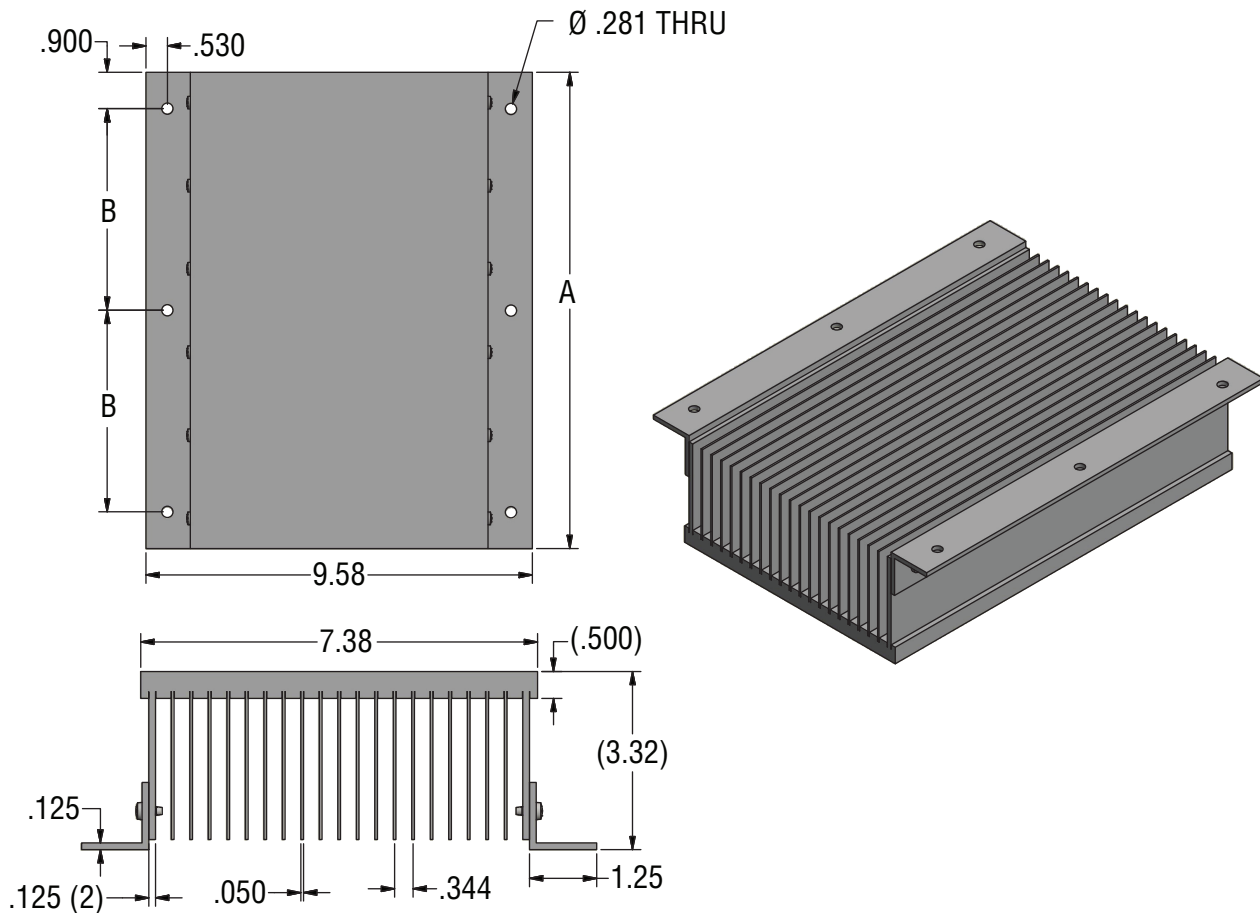


### NATURAL CONVECTION MODELS

Ideal for applications where forced air-cooling is not an option. While maintaining a similar thermal resistance, natural convection Bonded Fin Heat Sinks require half the amount of space as Extruded Heat Sinks. **Custom designs are available upon request.**



### NATURAL CONVECTION SPECIFICATIONS

MODEL #	CH5111	CH5112	CH5113	CH5114
Dimension A	7.00"	11.81"	7.00"	11.81"
Dimension B	2.50"	5.00"	2.50"	5.00"
Flanges	None	None	1.25" Wide	1.25" Wide
Thermal Resistance	0.30°C/W	0.22°C/W	0.30°C/W	0.22°C/W

Information printed in this section has been developed by dimensioning for general applications. C&H Technology is prepared to give assistance on all engineered Heat Sinks by utilizing computer software designed specifically for this type of Heat Sink.