



# Solid State Relay Assemblies





(800) 274-4284  
6121 Baker Rd, Suite 108  
Minnetonka, MN 55345  
[www.chtechnology.com](http://www.chtechnology.com)

# Solid State Relay Assembly Product Selection Guide

## Single Phase Assemblies

15-25A.....1

50A.....2

75A..... 3

100-125A.....4



## Three Phase Assemblies

10A.....5

25A.....6

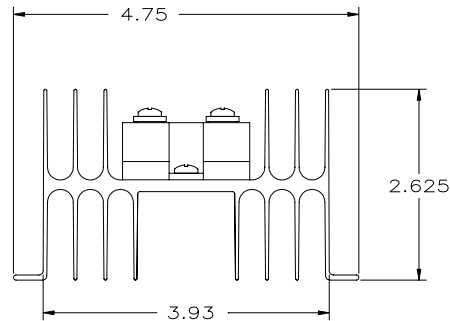
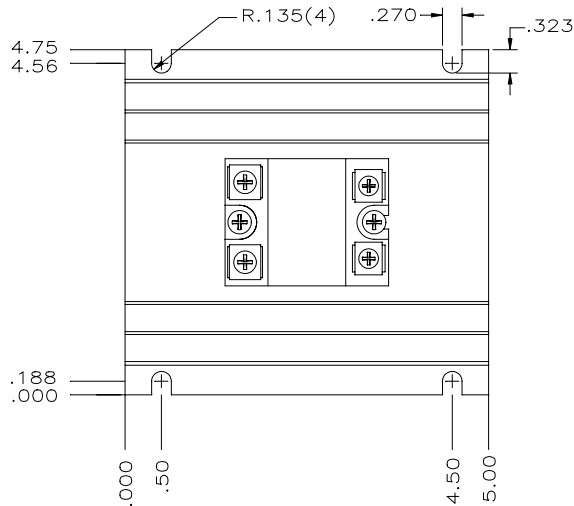
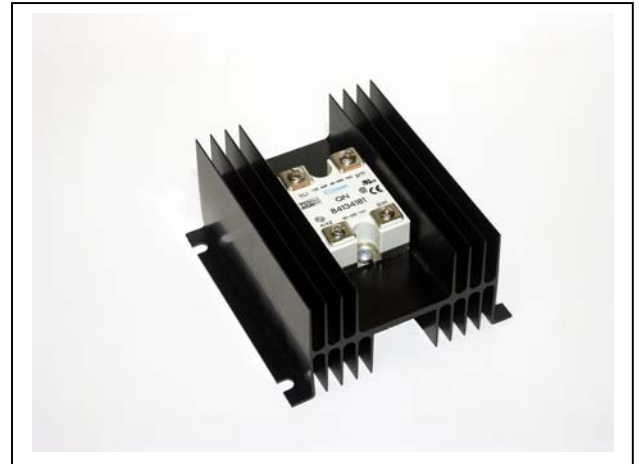
50-100A.....7

125A.....8



## Single Phase, 15-25A Panel Mount Solid State Relay Assembly

- Zero or Random Crossing
- Input Voltages: 90-280 VAC, 3-32 VDC
- Overvoltage and Transient Protection
- Output Voltages: 24-280 VAC, 48-660 VAC
- 1.5 °C/W Heat Sink Thermal Resistance

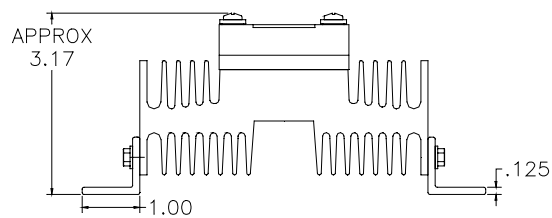
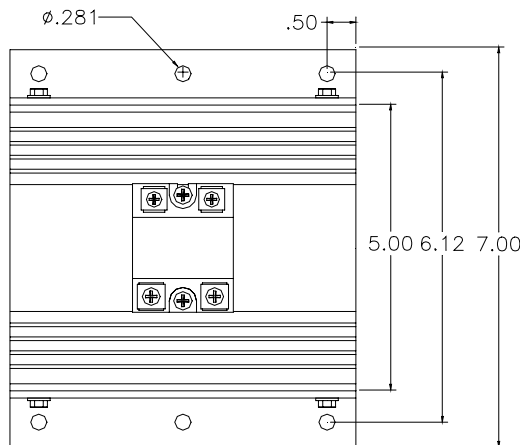


Part Number	Input Range	Output Range	Load Current at Ambient		
			45-50C	65C	80C
CHASSR25N24-90...	90-280 VAC	24-280 VAC	25A	20A	15A
CHASSR25N24-3...	3-32 VDC	24-280 VAC	25A	20A	15A
CHASSR25N48-90...	90-280 VAC	48-660 VAC	25A	20A	15A
CHASSR25N48-3...	3-32 VDC	48-660 VAC	25A	20A	15A

Note: Add the letter “Z” at the end of the part number to indicate zero crossing or “R” for random. Random SSR’s are available with a 3-32 VDC input only.

## Single Phase, 50A Panel Mount Solid State Relay Assembly

- Zero or Random Crossing
- Input Voltages: 90-280 VAC, 3-32 VDC
- Overvoltage and Transient Protection
- Output Voltages: 24-280 VAC, 48-660 VAC
- .9 °C/W Heat Sink Thermal Resistance

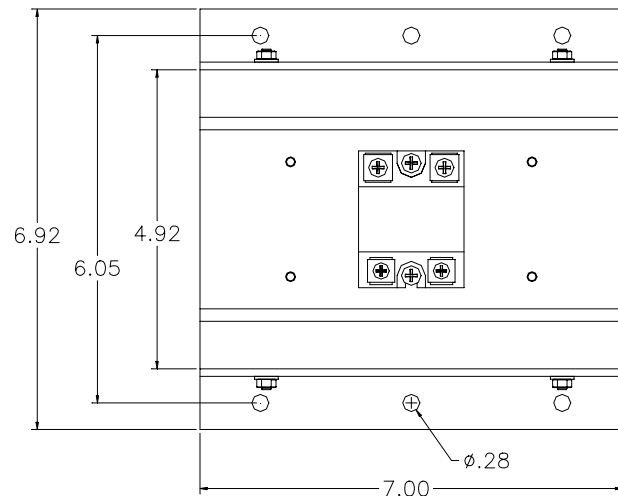
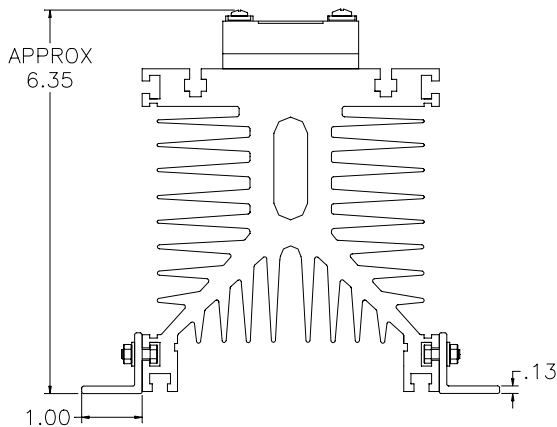


Part Number	Input Range	Output Range	Load Current at Ambient		
			40C	50C	65C
CHASSR50N24-90...	90-280 VAC	24-280 VAC	50A	45C	35C
CHASSR50N24-3...	3-32 VDC	24-280 VAC	50A	45C	35C
CHASSR50N48-90...	90-280 VAC	48-660 VAC	50A	45C	35C
CHASSR50N48-3...	3-32 VDC	48-660 VAC	50A	45C	35C

Note: Add the letter "Z" at the end of the part number to indicate zero crossing or "R" for random. Random SSR's are available with a 3-32 VDC input only.

## Single Phase, 75A Panel Mount Solid State Relay Assembly

- Zero or Random Crossing
- Input Voltages: 90-280 VAC, 3-32 VDC
- Overvoltage and Transient Protection
- Output Voltages: 24-280 VAC, 48-660 VAC
- .6 °C/W Heat Sink Thermal Resistance

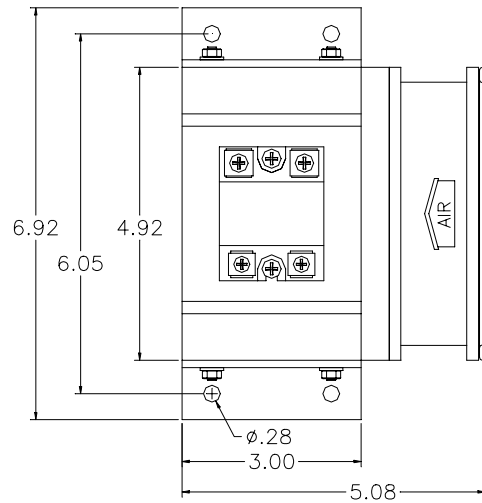
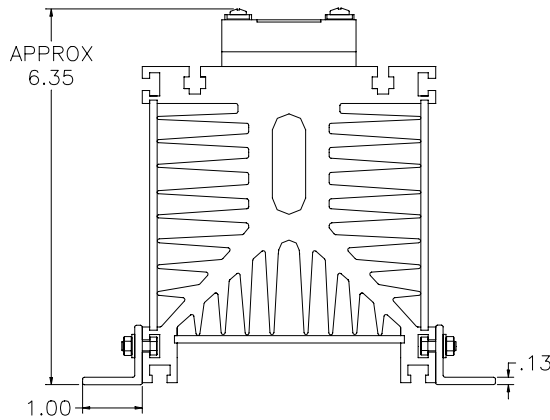


Part Number	Input Range	Output Range	Load Current at Ambient		
			40C	55C	65C
CHASSR75N24-90...	90-280 VAC	24-280 VAC	75A	60A	55A
CHASSR75N24-3...	3-32 VDC	24-280 VAC	75A	60A	55A
CHASSR75N48-90...	90-280 VAC	48-660 VAC	75A	60A	55A
CHASSR75N48-3...	3-32 VDC	48-660 VAC	75A	60A	55A

Note: Add the letter "Z" at the end of the part number to indicate zero crossing or "R" for random. Random SSR's are available with a 3-32 VDC input only.

## Single Phase, 100A, 125A Panel Mount Solid State Relay Assembly

- Zero or Random Crossing
- Input Voltages: 90-280 VAC, 3-32 VDC
- Overvoltage and Transient Protection
- Output Voltages: 24-280 VAC, 48-660 VAC
- .22 °C/W Heat Sink Thermal Resistance

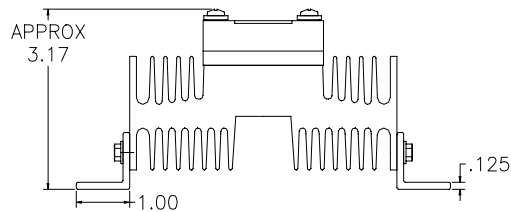
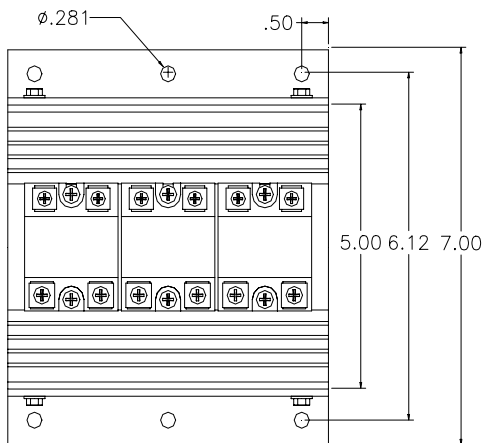


Part Number	Input Range	Output Range	Load Current at Ambient		
			45C	60C	70C
CHASSR100F24-90...	90-280 VAC	24-280 VAC	100A	90A	75A
CHASSR100F24-3...	3-32 VDC	24-280 VAC	100A	90A	75A
CHASSR100F48-90...	90-280 VAC	48-660 VAC	100A	90A	75A
CHASSR100F48-3...	3-32 VDC	48-660 VAC	100A	90A	75A
CHASSR125F24-90...	90-280 VAC	24-280 VAC	125A	112A	90A
CHASSR125F24-3...	3-32 VDC	24-280 VAC	125A	112A	90A
CHASSR125F48-90...	90-280 VAC	48-660 VAC	125A	112A	90A
CHASSR125F48-3...	3-32 VDC	48-660 VAC	125A	112A	90A

Note: Add the letter "Z" at the end of the part number to indicate zero crossing or "R" for random. Random SSR's are available with a 3-32 VDC input only.

## Three Phase, 10A Panel Mount Solid State Relay Assembly

- Zero or Random Crossing
- Input Voltages: 90-280 VAC, 3-32 VDC
- Overvoltage and Transient Protection
- Output Voltages: 24-280 VAC, 48-660 VAC
- .9 °C/W Heat Sink Thermal Resistance

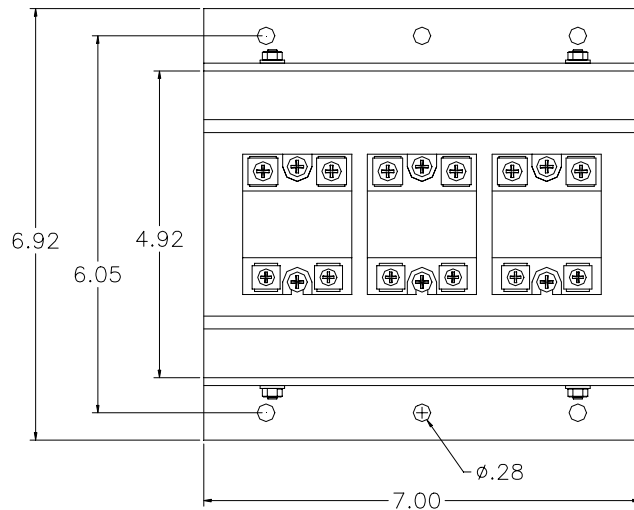
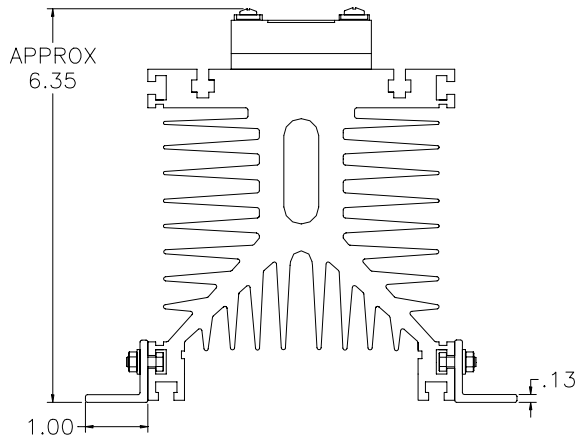


Part Number	Input Range	Output Range	Load Current at Ambient		
			45-60C	75C	80C
CHASS3R10N24-90...	90-280 VAC	24-280 VAC	10A	9A	8A
CHASS3R10N24-3...	3-32 VDC	24-280 VAC	10A	9A	8A
CHASS3R10N48-90...	90-280 VAC	48-660 VAC	10A	9A	8A
CHASS3R10N48-3...	3-32 VDC	48-660 VAC	10A	9A	8A

Note: Add the letter "Z" at the end of the part number to indicate zero crossing or "R" for random. Random SSR's are available with a 3-32 VDC input only.

## Three Phase, 25A Panel Mount Solid State Relay Assembly

- Zero or Random Crossing
- Input Voltages: 90-280 VAC, 3-32 VDC
- Overvoltage and Transient Protection
- Output Voltages: 24-280 VAC, 48-660 VAC
- .6 °C/W Heat Sink Thermal Resistance



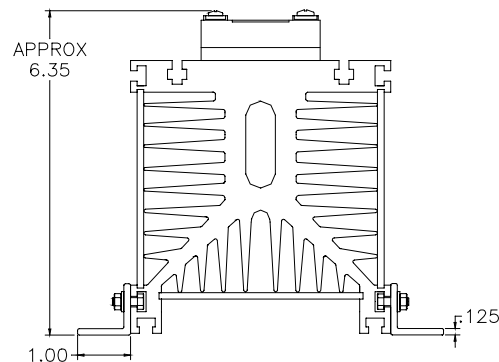
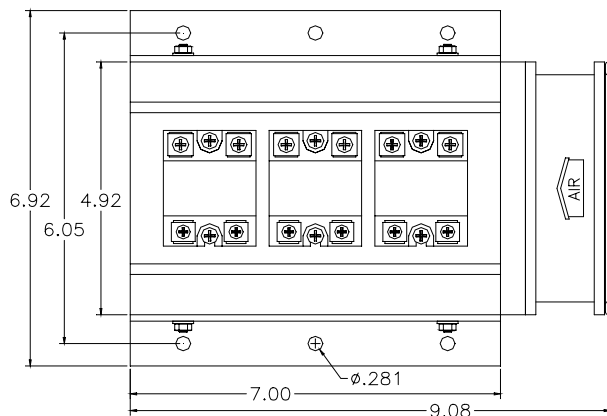
Part Number	Input Range	Output Range	Load Current at Ambient		
			45-70C	75C	80C
CHASS3R25N24-90...	90-280 VAC	24-280 VAC	25A	23A	20A
CHASS3R25N24-3...	3-32 VDC	24-280 VAC	25A	23A	20A
CHASS3R25N48-90...	90-280 VAC	48-660 VAC	25A	23A	20A
CHASS3R25N48-3...	3-32 VDC	48-660 VAC	25A	23A	20A

Note: Add the letter "Z" at the end of the part number to indicate zero crossing or "R" for random. Random SSR's are available with a 3-32 VDC input only.



## Three Phase, 50, 75, 100A Panel Mount Solid State Relay Assembly

- Zero or Random Crossing
- Input Voltages: 90-280 VAC, 3-32 VDC
- Overvoltage and Transient Protection
- Output Voltages: 24-280 VAC, 48-660 VAC
- .14° C/W Heat Sink Thermal Resistance

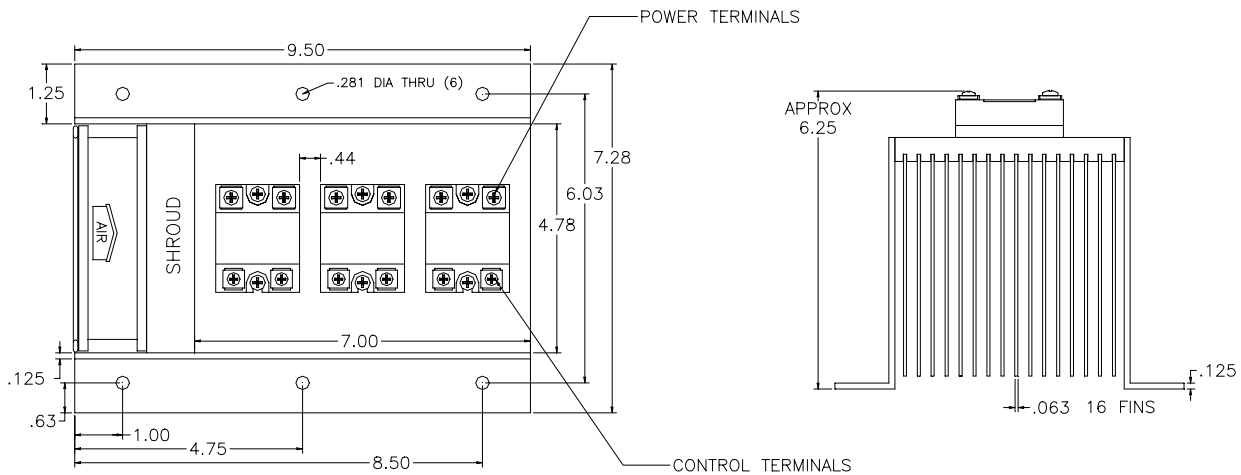


Part Number	Input Range	Output Range	Load Current at Ambient		
			45-60C	70C	80C
CHASS3R50F24-90...	90-280 VAC	24-280 VAC	50A	45A	40A
CHASS3R50F24-3...	3-32 VDC	24-280 VAC	50A	45A	40A
CHASS3R50F48-90...	90-280 VAC	48-660 VAC	50A	45A	40A
CHASS3R50F48-3...	3-32 VDC	48-660 VAC	50A	45A	40A
CHASS3R75F24-90...	90-280 VAC	24-280 VAC	75A	65A	55A
CHASS3R75F24-3...	3-32 VDC	24-280 VAC	75A	65A	55A
CHASS3R75F48-90...	90-280 VAC	48-660 VAC	75A	65A	55A
CHASS3R75F48-3...	3-32 VDC	48-660 VAC	75A	65A	55A
CHASS3R100F24-90...	90-280 VAC	24-280 VAC	100A	70A	55A
CHASS3R100F24-3...	3-32 VDC	24-280 VAC	100A	70A	55A
CHASS3R100F48-90...	90-280 VAC	48-660 VAC	100A	70A	55A
CHASS3R100FN48-3...	3-32 VDC	48-660 VAC	100A	70A	55A

Note: Add the letter "Z" at the end of the part number to indicate zero crossing or "R" for random. Random SSR's are available with a 3-32 VDC input only.

## Three Phase, 125A Panel Mount Solid State Relay Assembly

- Zero or Random Crossing
- Input Voltages: 90-280 VAC, 3-32 VDC
- Overvoltage and Transient Protection
- Output Voltages: 24-280 VAC, 48-660 VAC
- .08 °C/W Heat Sink Thermal Resistance



Part Number	Input Range	Output Range	Load Current at Ambient		
			40C	50C	65C
CHASS3R125F24-90...	90-280 VAC	24-280 VAC	125A	112A	87A
CHASS3R125F24-3...	3-32 VDC	24-280 VAC	125A	112A	87A
CHASS3R125F48-90...	90-280 VAC	48-660 VAC	125A	112A	87A
CHASS3R125F48-3...	3-32 VDC	48-660 VAC	125A	112A	87A

Note: Add the letter "Z" at the end of the part number to indicate zero crossing or "R" for random. Random SSR's are available with a 3-32 VDC input only.