

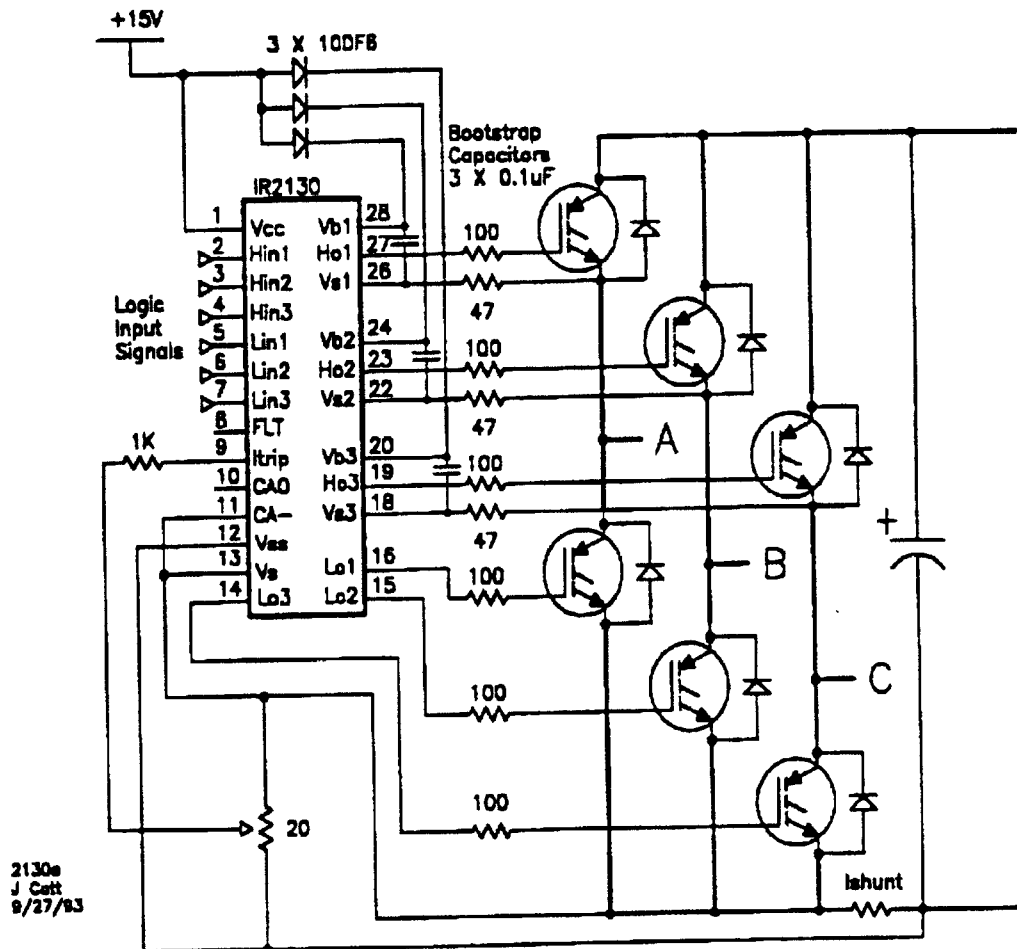
# International IOR Rectifier DESIGN TIPS

DT 94-11

INTERNATIONAL RECTIFIER • APPLICATIONS ENG. • 233 KANSAS ST. • EL SEGUNDO, CA. 90245 • TEL (310)322-3331 • FAX (310)322 3332

## 3-Phase Bridge Drive With Overcurrent Protection

by Jamie Catt



### Features:

Single Chip Solution, Interfaces Directly to All Input Signal Levels, Built in Deadtime, Overcurrent Protection, 600 Volt Rating.

### Benefits:

Simple Circuit Layout, Low Cost, Eliminates Cross-Conduction.

### Further Details:

International Rectifier Application Note AN-985:  
"The IR2130: A Six Output, High Voltage MOS Gate Driver".